

A631 Phase Center Measurement

Antenna Type:

HEMA631 **NONE**

Brand code: HEM (Hemisphere GNSS)

Antenna model: A631

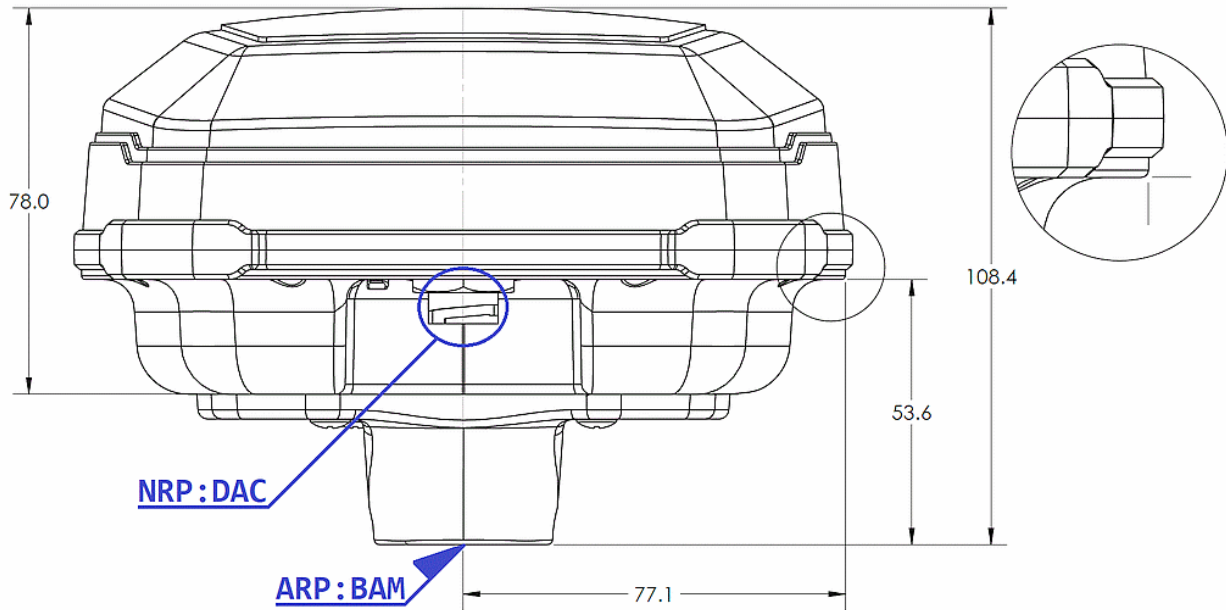
Part number: 804-0168-10 Rev A

Antenna code: HEMA631

Radome code: NONE

Antenna reference point (ARP):Bottom of antenna mount (BAM)

North reference point (NRP):Data cable connector (DAC)



HEMA631 NONE Model:A631,PN:804-0168-10 Rev A, DAC->N NGS (3)
21/02/19

4.3	0.1	99.3							
0.0	-1.3	-1.7	-1.6	-1.4	-1.1	-1.0	-0.9	-1.1	-1.2
-1.6	-1.9	-2.2	-2.3	-1.8	-0.4	2.2	0.0	0.0	
1.5	-0.6	117.8							
0.0	-1.0	-1.6	-1.9	-2.0	-2.0	-1.9	-1.9	-1.9	-1.9
-2.0	-2.0	-1.9	-2.1	-2.3	-2.8	-3.4	0.0	0.0	

<https://geodesy.noaa.gov/ANTCAL/#>